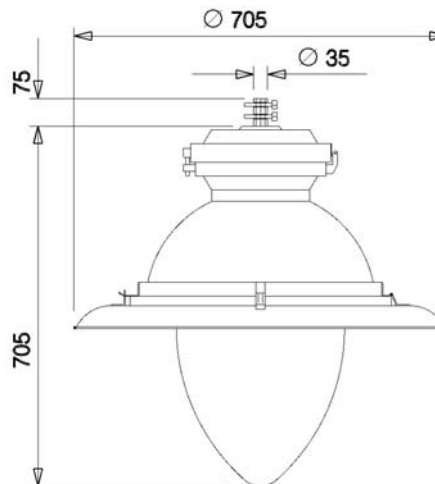




**RENAISSANCE**  
ROADWAY LIGHTING  
BRRL 150/250/400 SV/MH (BORAGE)

Integral decorative roadway furniture with clear polycarbonate for SV/MH Lamp



Dimensions in mm Tolerance +/-5

### Applications

- Parks and gardens
- Pathways
- Landscape lighting
- Pedestrian crossing, etc.

### Features

- Fully vermin and weatherproof
- Easy to install and maintain
- Degree of protection : IP 66 Lamp housing
- Degree of protection : IP 55 CG housing
- Electrical safety – Class I

### Specifications

- Black painted cast aluminium C.G.housing with top mounting arrangement for incoming pole of 40 mm I/D pipe
- Black painted deep drawn aluminium housing for lamp & reflector assembly
- Black painted deep drawn aluminium reflector with UV stabilised clear polycarbonate cover is fixed to the housing from bottom
- Electrochemically brightened, computer aided designed pot optic aluminium reflector for tubular lamp
- Control gear for 150/250/400 SV/MH lamp, GES (E40) lamp holder prewired upto the terminal block

### Electrical Data

Cat. Ref.	Lamp Type & Wattage (W)	Nominal Voltage (V)	Mains Current In Amps. At 240 V	Capacitor Mfd	Power Factor
BRRL 150 SV/MH (BORAGE)	HPSV/MH 150	220/240	0.80	20	≥ 0.85
BRRL 250 SV/MH (BORAGE)	HPSV/MH 250	220/240	1.30	30	≥ 0.85
BRRL 400 SV/MH (BORAGE)	HPSV/MH 400	220/240	2.10	42	≥ 0.85

Data subject to variation due to change/improvement in the design, materials and processes.

<p><b>BAJAJ LUMINAIRES</b> Making the difference</p>	DRAWN	VDS	30.04-2008	FOR - Std.
	CHECKED	KS		REV - 0 DATE-30.04-2008
	APPROVED	CRR		DRG. No
	DATA SHEET RELEASED ON DT-			BRRL 400 SV(BOR)-001
<b>BAJAJ ELECTRICALS LIMITED</b> 15/17, SANT SAVTA MARG, REAY ROAD, MUMBAI-400 010.				* E-mail : <a href="mailto:luminaires@bajajelectricals.com">luminaires@bajajelectricals.com</a>