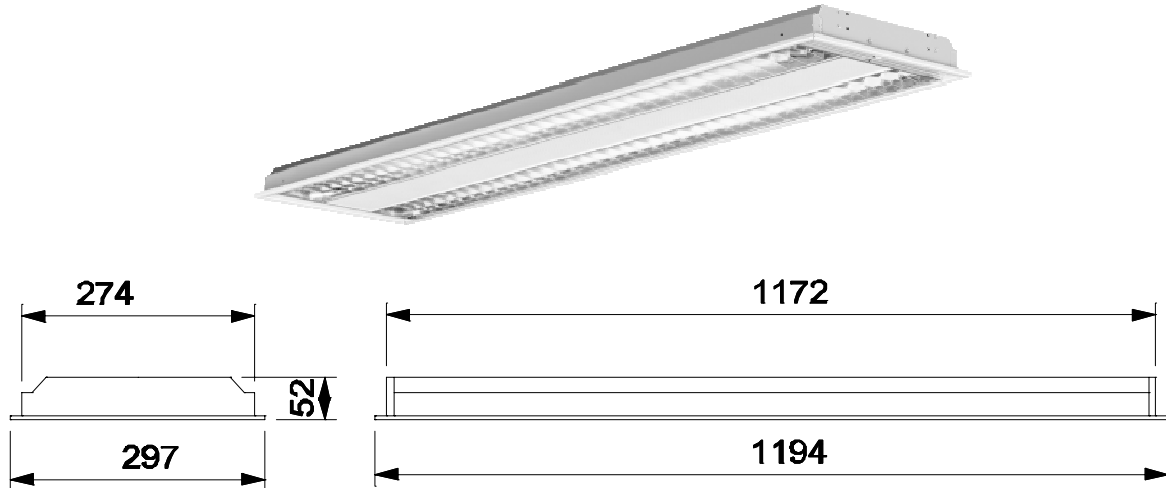




LEGEND

BTMRA 228/254 MATT

Recessed mounted 2x28/54 mirror optic T5 low glare luminaire



NOMINAL DIMENSIONS IN mm Tolerance +/-5

Specifications:

- Epoxy broken White powder coated CRCA sheet steel housing
- Aluminium reflector with specular film permanently bonded on to the aluminium reflector to eliminate effect of iridescence & for increased efficiency
- Aluminium matt panel
- Wired with Electronic ballast, suitable for 2x28/54W T5 lamps.

Benefits:

- Highly pure imported aluminium louver absolutely produces no iridescence
- Arched reflector ensures high reflectivity
- Luminaire body is corrosion resistant & durable
- Ideal for Armstrong/USG/Celotex ceiling system
- Corrugated blades eliminates glare
- Ultra thin body height occupies less space
- Easy to install and maintain
- Degree of protection : IP 20

Electrical Data

Product Code	Cat. Ref.	Lamp Type & Wattage (W)	Nominal Voltage (V)	Mains Current In Amps. At 240 V	Power Factor
160426	BTMRA 228 MATT	T5 2x28	240	0.27	≥ 0.95
--	BTMRA 254 MATT	T5 2x54	240	0.50	≥ 0.99

Data subject to variation due to change/improvement in the design, materials and processes.

 BAJAJ LUMINAIRE <i>Making the difference</i>	DRAWN	VDS	23-11-2002	FOR - STD.
	CHECKED	DVRS		REV - 1 DATE-24-01-2008
	APPROVED	CRR		DRG.No
	DATA SHEET RELEASED ON DT-			BTMRA 228/254 MATT - 001
BAJAJ ELECTRICALS LIMITED 15/17, SANT SAVTA MARG, REAY ROAD, MUMBAI-400 010.				* E-mail : luminaires@bajajelectricals.com