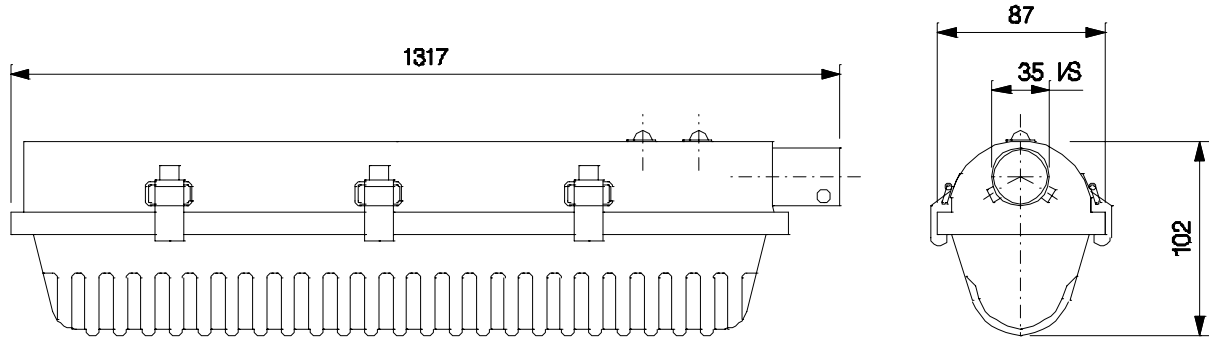




ROADWAY LIGHTING

BAJAJ BTSLF 128/228 T5

Fluorescent lamp T5 luminaire for group B2 roadway installation



Dimensions in mm Tolerance +/-5

Application

- Medium traffic roads
- Security lighting
- Industrial complexes
- Residential colonies
- Service stations, etc.

Specification

- MS housing with munshell grey stove enamelled finish
- Stove enameled MS sheet steel reflector
- Highly transparent, ribbed acrylic bowl with gasket fixed to the housing with toggle latches
- Wired with electronic ballasts suitable for single/twin 28W T5 Lamp.
- Side entry mounting for 20/30 mm OD pipe bracket
- Degree of protection: IP 43
- Nominal operating voltage as 150-280V AC

Electrical Data

Cat. Ref.	Lamp Type & Wattage (W)	Nominal Voltage (V)	Mains Current in Amps. at 240 V	Power Factor
BTSLF 128 T5	T5 1 x 28	220/240	0.14	≥ 0.95
BTSLF 228 T5	T5 2 x 28	220/240	0.27	≥ 0.95

Data subject to variation due to change/improvement in the design, materials and processes.

 BAJAJ LUMINAIRES <i>Making the difference</i>	DRAWN	VDS	14-08-2007	FOR – Std.
	CHECKED	DVRS		REV - 0 DATE-04-01-2008
	APPROVED	CRR		DRG. No
	DATA SHEET RELEASED ON DT-			SLF 128/228 T5 - 001
BAJAJ ELECTRICALS LIMITED 15/17, SANT SAVTA MARG, REAY ROAD, MUMBAI-400 010.				* E-mail : luminaires@bajaelectricals.com