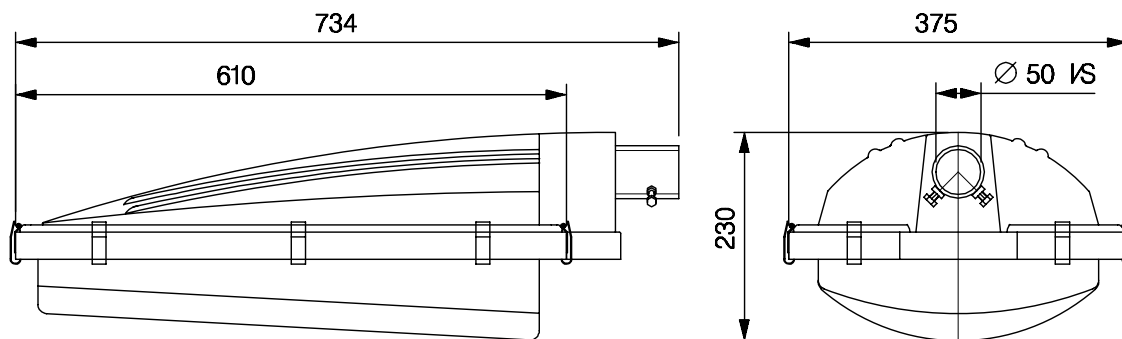




ROADWAY LIGHTING

BAJAJ BTSLF 414 / 424 FRP

Energy efficient roadway luminaire suitable for 4x14/24 T5 fluorescent lamps



Dimensions in mm Tolerance +/-2

Applications

- Major city road
- Secondary Roads
- Roundabouts
- Industrial complexes
- Residential colonies
- Car parks, etc.

Specification

- Grey finish FRP housing
- Epoxy white powder coated CRCA sheet steel gear tray covered with anodised aluminium reflector
- Accessories such as Electronic ballast, lamp holders are prewired upto the terminal block and mounted on a easily detachable gear tray
- Clear acrylic cover with rubber gasket fixed by toggles
- Side entry mounting for 40 to 45 mm OD pipe bracket
- Degree of protection : IP 54

Note: Wired with < 30% THD (BJHF 224 P) 2 Nos. ballast for BTSLF 424 FRP

Electrical Data

Cat. Ref.	Lamp Type & Wattage (W)	Nominal Voltage (V)	Mains Current In Amps. At 240 V	Power Factor
BTSLF 414 FRP	T5 4x14	240	0.28	0.90
BTSLF 424 FRP	T5 4x24	240	0.448	0.90

Data subject to variation due to change/improvement in the design, materials and processes.

<p>BAJAJ LUMINAIRE Making the difference</p>	DRAWN	VDS	29-01-2007	FOR – Std.
	CHECKED	DVRS		REV - 0 DATE-04-01-2008
	APPROVED	CRR		DRG. No
	DATA SHEET RELEASED ON DT- Jun.-2007			TSLF 414/24 FRP - 001
BAJAJ ELECTRICALS LIMITED 15/17, SANT SAVTA MARG, REAY ROAD, MUMBAI-400 010.				* E-mail : luminaires@bajajelectricals.com