



# ARTFUL SOLUTIONS TO LIGHT UP YOUR CEILING

FREEDOM RANGE



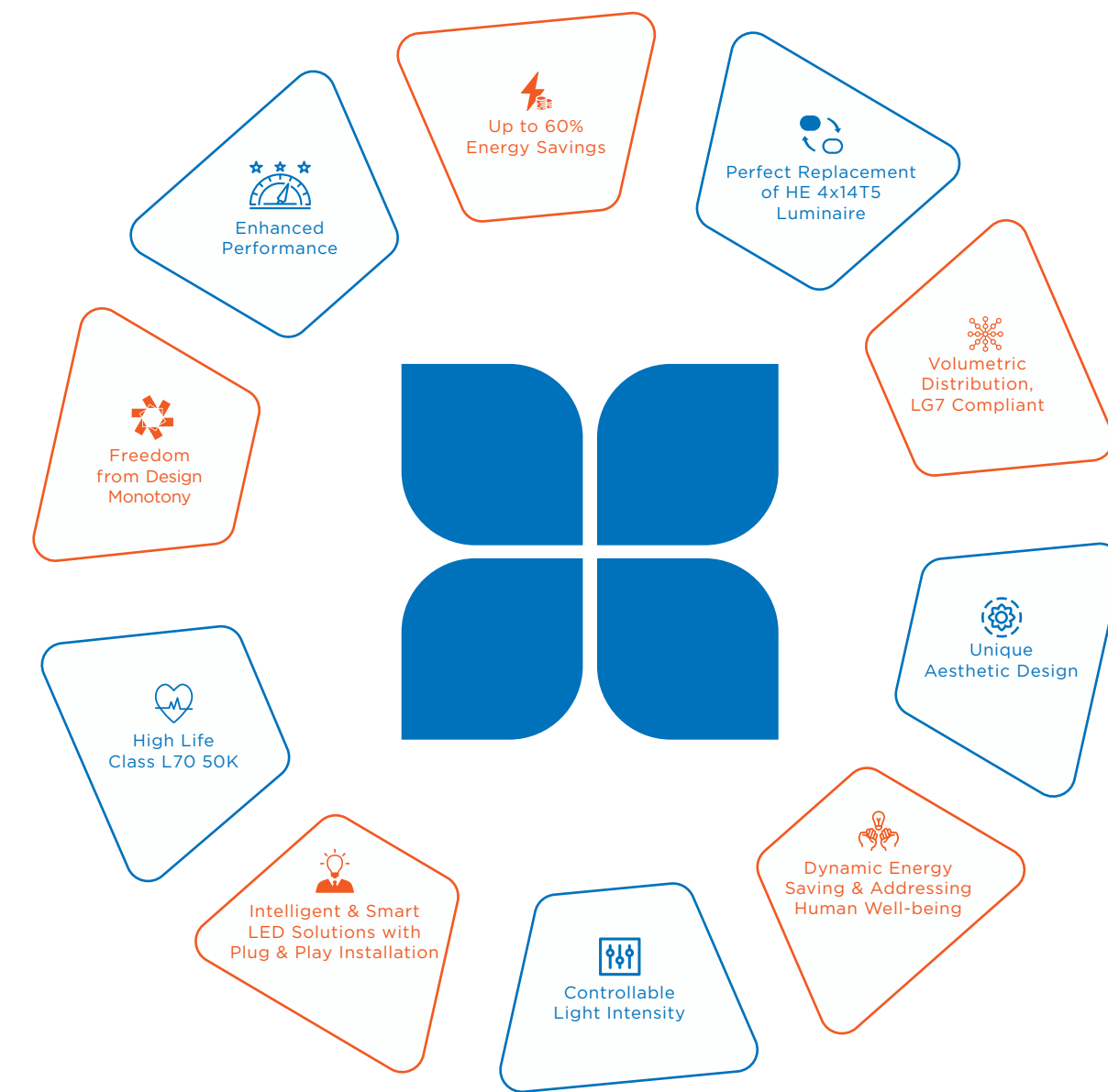
601, Rustomjee Aspiree, Bhanu Shankar Yagnik Marg, Off Eastern Express Highway, Sion (E), Mumbai - 400 022.

Tel.: 022-2406 4400 | E-mail: [luminaires@bajajelectricals.com](mailto:luminaires@bajajelectricals.com) | [www.bajajelectricals.com](http://www.bajajelectricals.com)

[f/BajajElecBiz](#) [t/BajajElecBiz](#) [@/bajajelecbiz](#) [/BajajElectricals](#)

## INTRODUCTION

Presenting the **Freedom Range** of lighting solutions to create artful ceilings with a touch of class and elegance. These stunning lights are a visual masterpiece and a treat to the eyes. The **Freedom Range** consists of five distinctive designs **Petal, Diamond, Ripple, Delta and Trapezoid**. Come, explore this art in illumination.



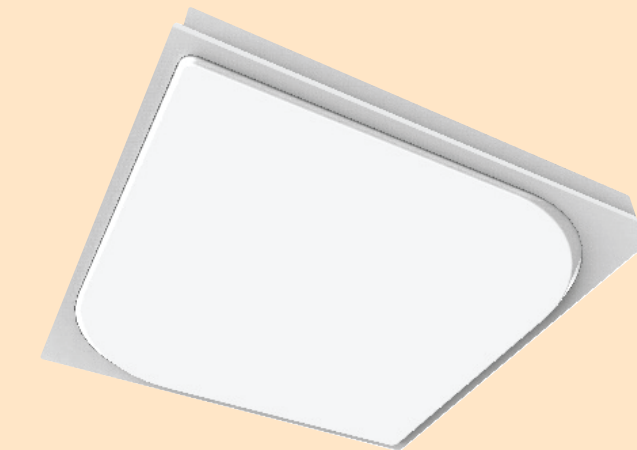
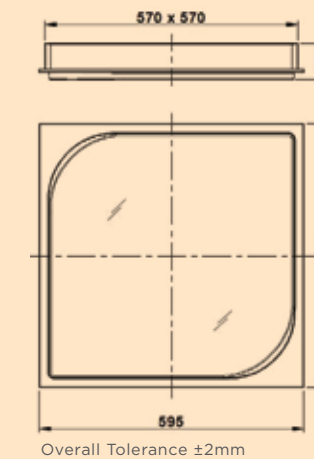


**PETAL**

## BCRSP 28W LED WH / NW RECESS MOUNTING 2'X2' LED LUMINAIRE

### Features

- Stylish petal design lights that add a premium touch to any ceiling.
- It has a unique shaped luminous window opening having formed opal diffuser fixed in the housing.
- Decorate your ceiling with distinct dainty flower-shaped patterns.
- CRCA sheet housing comprising of White (WH) & Neutral White (NW) LEDs connected in series parallel.
- Driver: Constant current LED driver.
- Finish: Housing white powder coated (RAL9016).



GENERAL INFORMATION	
Product Category	LED Commercial Lighting
System Wattage	28W
Luminous Flux	3080 lm ± 10%
Luminaire Efficacy	110 lm/W
Colour Rendering Index	80
Maintenance of Lumen Output	50000 hrs.
Operating Temperature Range	0°C to +45°C

OPERATING AND ELECTRICAL	
Input Voltage	150V to 265V AC
Input Frequency	50 to 60 Hz
System Current in Amp. @240V AC	0.13A
Power Factor	≥0.95
THD	<10%
LED Driver Cat. Ref.	BGD 360 70I
Built-in Surge Protection	3kV

PRODUCT AND ORDERING DATA	
Product Cat. Ref.	BCRSP 28W LED WH / NW
Case Lot	2 no.
Net Weight	3.8 kg. approx.

APPROVAL	
Ingress Protection	IP20



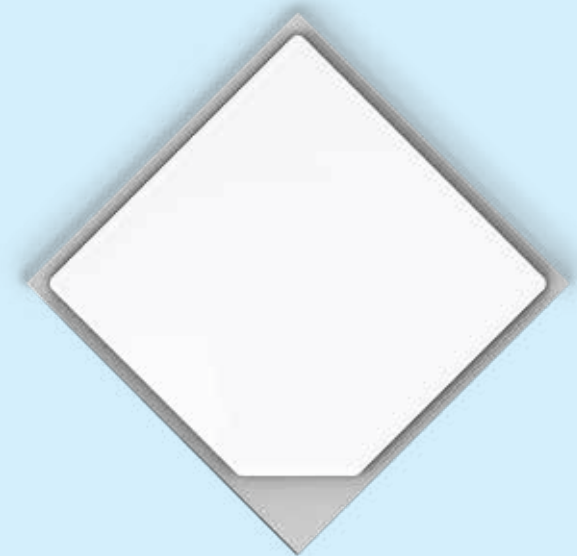
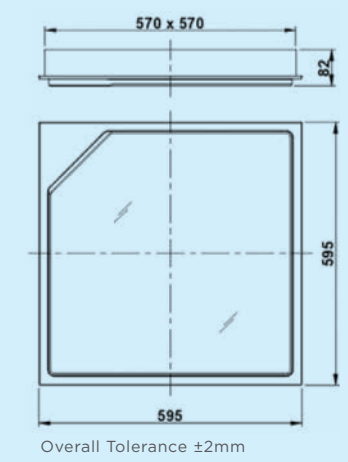
**DIAMOND**

## BCRSDI 28W LED WH / NW

### RECESS MOUNTING 2'X2' LED LUMINAIRE

#### Features

- Accentuate spaces with bold and stunning lights for any ceiling requirement.
- The unique shaped luminous window opening and opal diffuser fixed in the housing makes it easy to install.
- A decorative element for your ceiling that can be customised to create sleek and distinct patterns.
- CRCA sheet housing comprising of White (WH) & Neutral White (NW) LEDs connected in series parallel.
- Driver: Constant current LED driver.
- Finish: Housing white powder coated (RAL9016).



GENERAL INFORMATION	
Product Category	LED Commercial Lighting
System Wattage	28W
Luminous Flux	3080 lm ± 10%
Luminaire Efficacy	110 lm/W
Colour Rendering Index	80
Maintenance of Lumen Output	50000 hrs.
Operating Temperature Range	0°C to +45°C

OPERATING AND ELECTRICAL	
Input Voltage	150V to 265V AC
Input Frequency	50 to 60 Hz
System Current in Amp. @240V AC	0.13A
Power Factor	≥0.95
THD	<10%
LED Driver Cat. Ref.	BGD 360 70I
Built-in Surge Protection	3kV

PRODUCT AND ORDERING DATA	
Product Cat. Ref.	BCRSDI 28W LED WH / NW
Case Lot	2 no.
Net Weight	3.7 kg. approx.

APPROVAL	
Ingress Protection	IP20



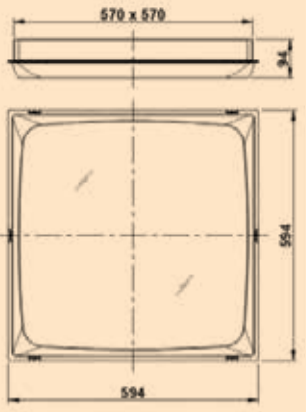
**RIPPLE**

## BCRSR 28W LED WH / NW

### RECESS MOUNTING 2'X2' LED LUMINAIRE

#### Features

- Aesthetically crafted borderless and seamless lights to reflect fluidity.
- It has a distinct shaped luminous window opening with a formed opal diffuser fixed in the housing.
- Beautify your ceiling with lights that can be customised to create flowing patterns.
- CRCA sheet housing comprising of White (WH) & Neutral White (NW) LEDs connected in series parallel.
- Driver: Constant current LED driver.
- Finish: Housing white powder coated (RAL9016).



Overall Tolerance ±2mm



GENERAL INFORMATION	
Product Category	LED Commercial Lighting
System Wattage	28W
Luminous Flux	3360 lm ± 10%
Luminaire Efficacy	120 lm/W
Colour Rendering Index	80
Maintenance of Lumen Output	50000 hrs.
Operating Temperature Range	0°C to +45°C

OPERATING AND ELECTRICAL	
Input Voltage	150V to 265V AC
Input Frequency	50 to 60 Hz
System Current in Amp. @240V AC	0.13A
Power Factor	≥0.95
THD	<10%
LED Driver Cat. Ref.	BGD 360 70I
Built-in Surge Protection	3kV

PRODUCT AND ORDERING DATA	
Product Cat. Ref.	BCRSR 28W LED WH / NW
Case Lot	2 no.
Net Weight	3.3 kg. approx.

APPROVAL	
Ingress Protection	IP20

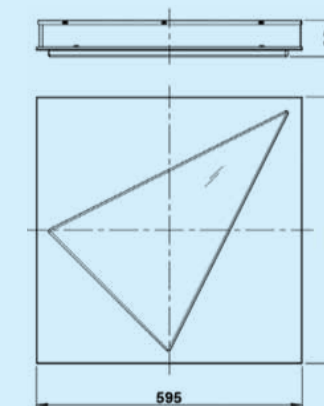


## BCRSD 28W LED WH / NW

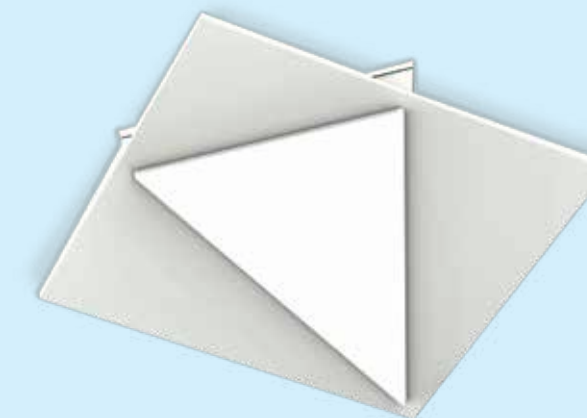
### RECESS MOUNTING 2'X2' LED LUMINAIRE

#### Features

- A blend of aesthetics and well-defined clear lines to adorn any ceiling.
- It has a unique shaped luminous window opening plus a formed opal diffuser fixed in the housing.
- Easily customised to create various stylish and beautiful patterns.
- CRCA sheet housing comprising of White (WH) & Neutral White (NW) LEDs connected in series parallel.
- Driver: Constant current LED driver.
- Finish: Housing white powder coated (RAL9016).



Overall Tolerance ±2mm



GENERAL INFORMATION	
Product Category	LED Commercial Lighting
System Wattage	28W
Luminous Flux	2800 lm ± 10%
Luminaire Efficacy	100 lm/W
Colour Rendering Index	80
Maintenance of Lumen Output	50000 hrs.
Operating Temperature Range	0°C to +45°C

OPERATING AND ELECTRICAL	
Input Voltage	150V to 265V AC
Input Frequency	50 to 60 Hz
System Current in Amp. @240V AC	0.13A
Power Factor	≥0.95
THD	<10%
LED Driver Cat. Ref.	BGD 360 70I
Built-in Surge Protection	3kV

PRODUCT AND ORDERING DATA	
Product Cat. Ref.	BCRSD 28W LED WH / NW
Case Lot	2 no.
Net Weight	4.1 kg. approx.

APPROVAL	
Ingress Protection	IP20

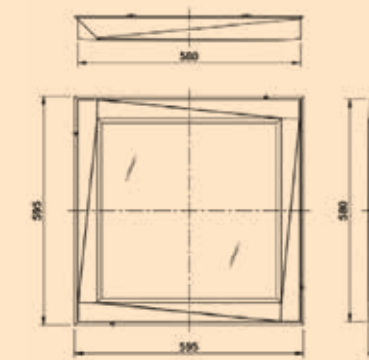


## BCRSTR 28W LED WH / NW

### RECESS & SURFACE MOUNTING 2'X2' LED LUMINAIRE

#### Features

- These lights are crafted with a blend of aesthetic style and function to beautify your ceiling.
- It has a square-shaped luminous window opening and also a formed opal diffuser fixed in the housing.
- **These lights can be installed by recess as well as surface mounting lighting fixture.**
- A decorative element which offers flexibility to install lights the way you want.
- CRCA sheet housing comprising of White (WH) & Neutral White (NW) LEDs connected in series parallel.
- Driver: Constant current LED driver.
- Finish: Housing white powder coated (RAL9016).



Overall Tolerance ±2mm



GENERAL INFORMATION	
Product Category	LED Commercial Lighting
System Wattage	28W
Luminous Flux	2800 lm ± 10%
Luminaire Efficacy	100 lm/W
Colour Rendering Index	80
Maintenance of Lumen Output	50000 hrs.
Operating Temperature Range	0°C to +45°C

OPERATING AND ELECTRICAL	
Input Voltage	140V to 270V AC
Input Frequency	50 to 60 Hz
System Current in Amp. @240V AC	0.13A
Power Factor	≥0.95
THD	<10%
LED Driver Cat. Ref.	BGD 360 70I
Built-in Surge Protection	3kV

PRODUCT AND ORDERING DATA	
Product Cat. Ref.	BCRSTR 28W LED WH / NW
Case Lot	2 no.
Net Weight	3.3 kg. approx.

APPROVAL	
Ingress Protection	IP20

